

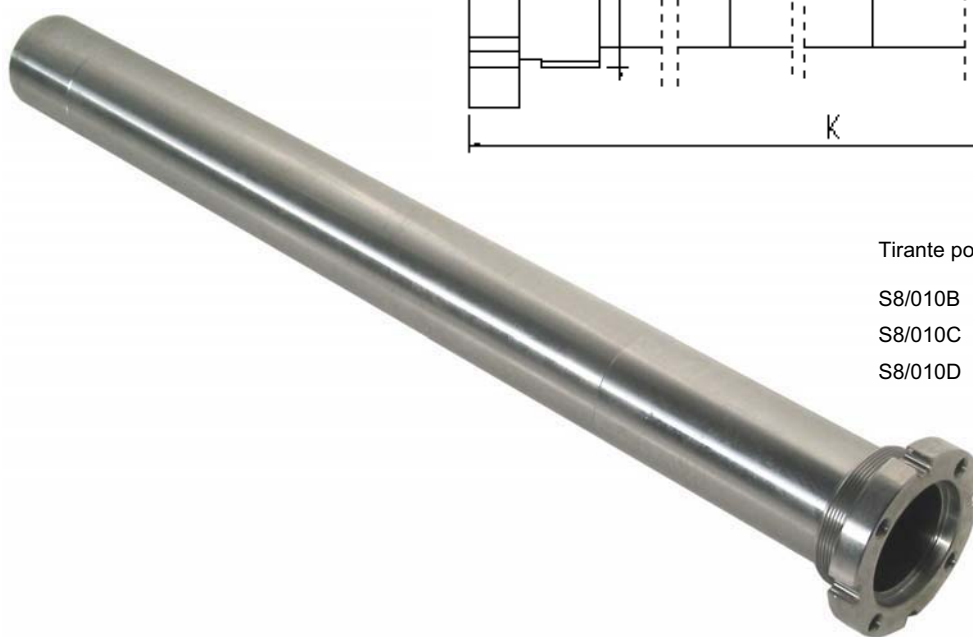
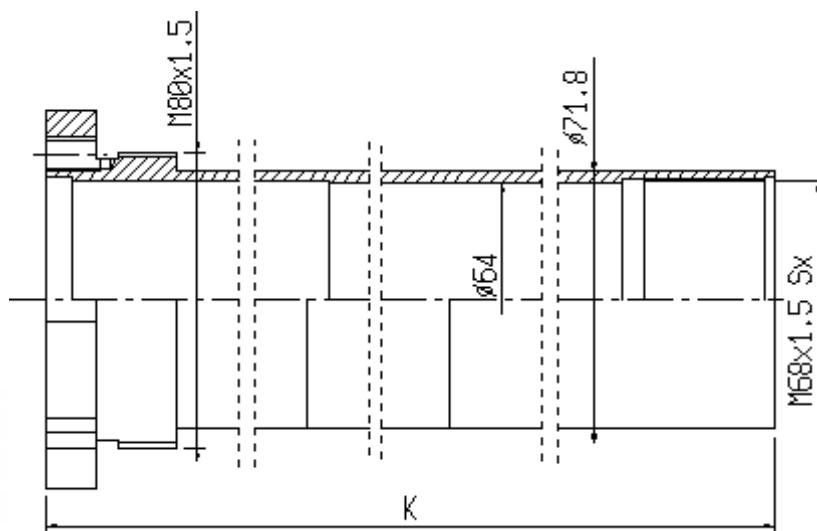
S18/001
campana / sleeve
C3210C-55Z



S8/003
martelletto / toggle
C3220B-45Z



S13/004
martelletto / toggle
C3220A-44SZ



Tirante portapinza / Collet tube

S8/010B K = 614mm C3070E-55Z

S8/010C K = 944mm C3170B-55Z

S8/010D K = 1086mm



S8/012C

Tirante spingibarra / Feed tube

D3080A-55Z

K = 613mm