



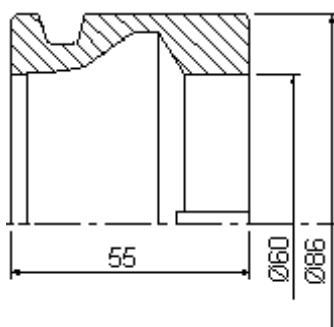
DAL LAGO TTC S.R.L. - Via Piave, 16 - 36077 Altavilla Vic.na (VI) - Italy
Tel +39 0444 349030 - Fax +39 0444 348964 - www.dallago.it - info@dallago.it

SCHÜTTE SE16

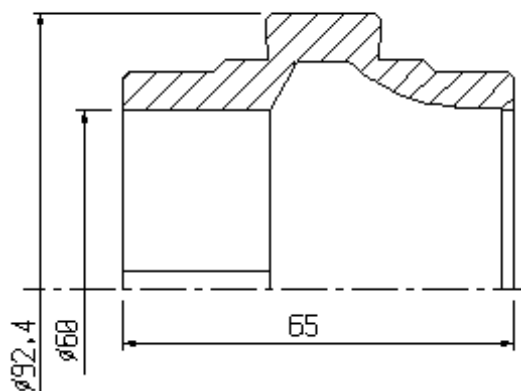
APPARECCHIATURE E PARTI DI RICAMBI

ATTACHMENTS AND SPARE PARTS

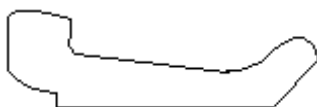
EINRICHTUNGEN UND ERSATZTEILE



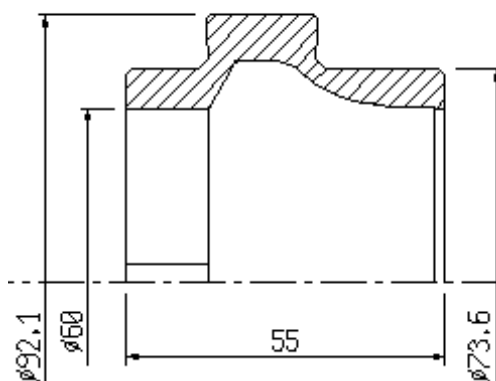
S2/002
campana / sleeve
SE16d376d



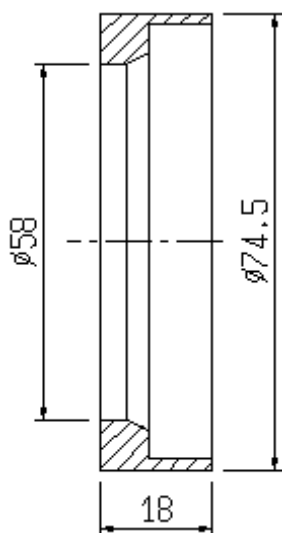
S2/001B
campana / sleeve
SE16d376b



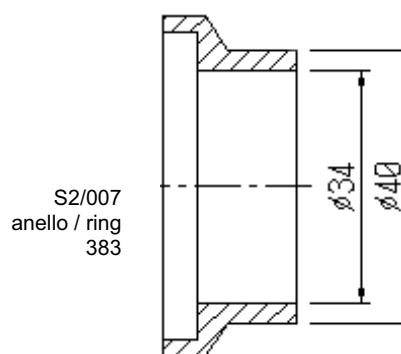
S2/003
martelletto / toggle
390



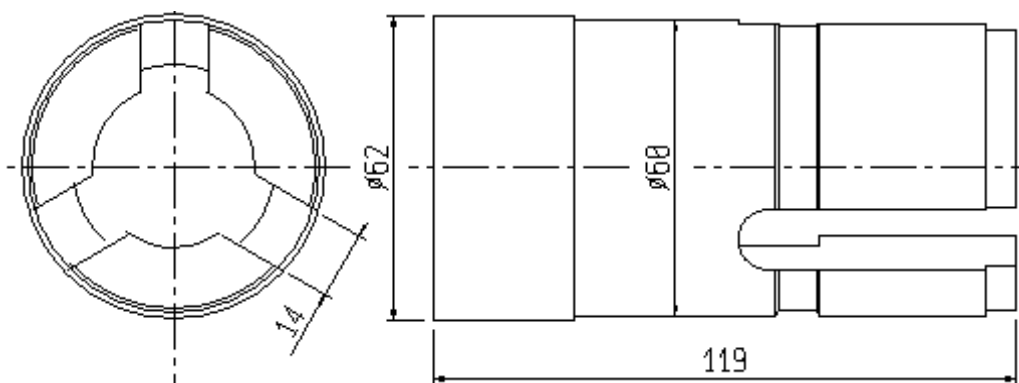
S2/001
campana / sleeve
SE16d376c



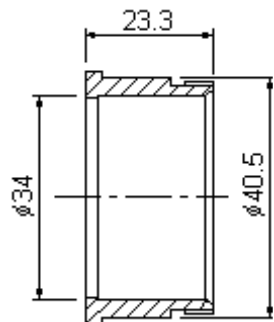
S2/011
anello / ring
375



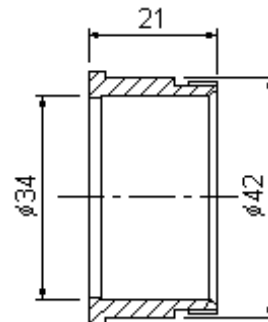
S2/007
anello / ring
383



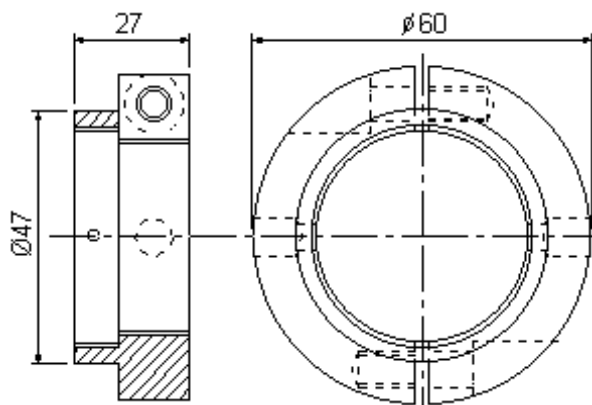
S2/019
Portacampana
sleeve-holder
346



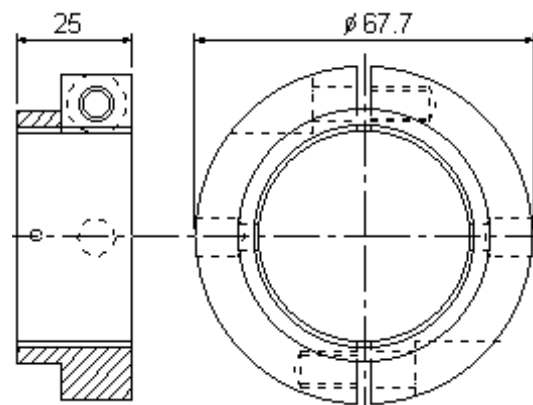
S2/008A
Boccola portamolle
Belleville washer ring
SE16d334/2



S2/008B
Boccola portamolle
Belleville washer ring



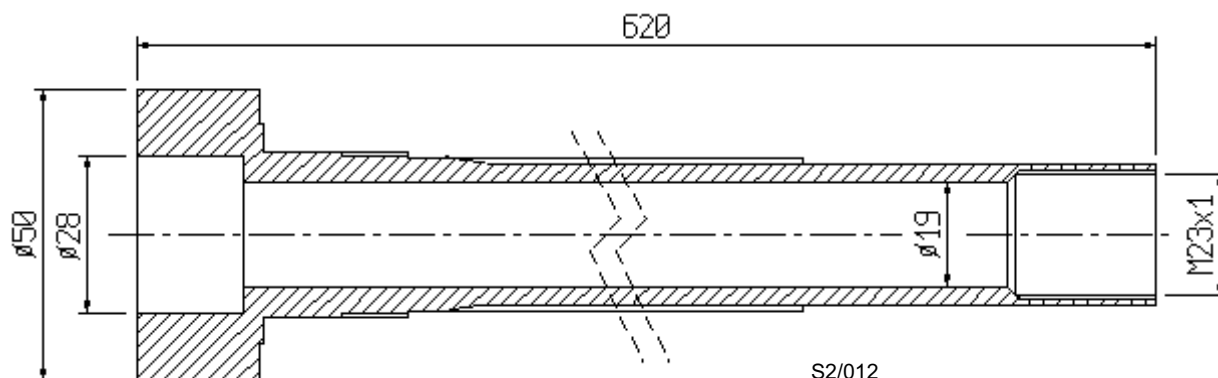
S2/009A
Ghiera registraz. Molle / Nut
SE16d337/1



S2/009B
Ghiera registraz. Molle / Nut

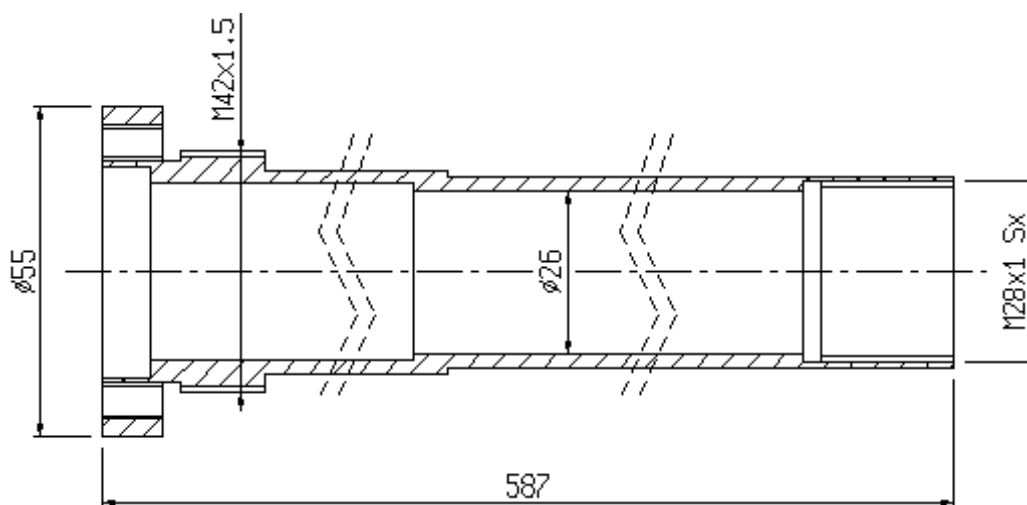
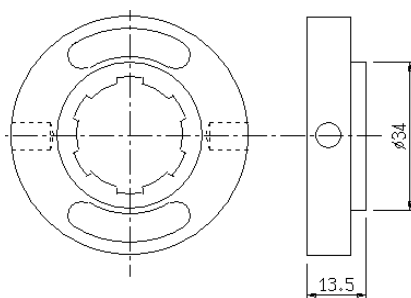


S2/0090
Molle a tazza / Belleville washer
335

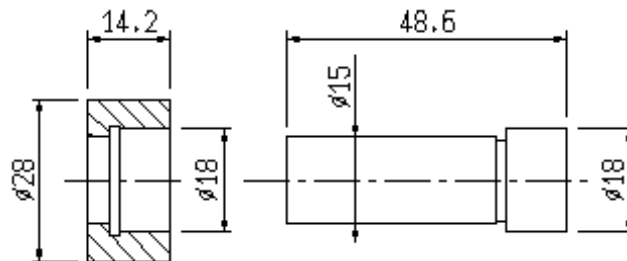


S2/012
tubo avanzamento / feed tube
342

S2/013
Bronzina scanalata
Bronze bush
382

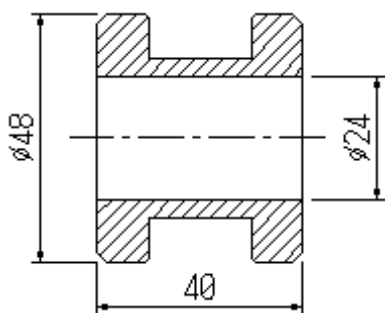


S2/010
tubo stringibarra / collet tube
341

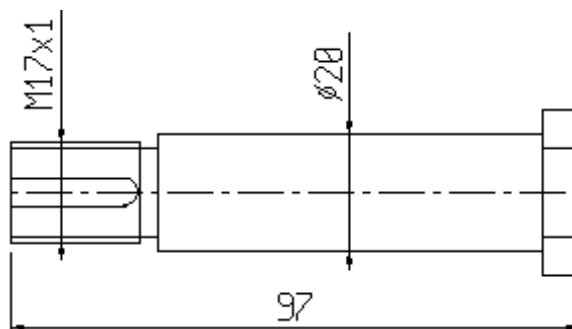


S12/033R
rullo / roller
SE16d90

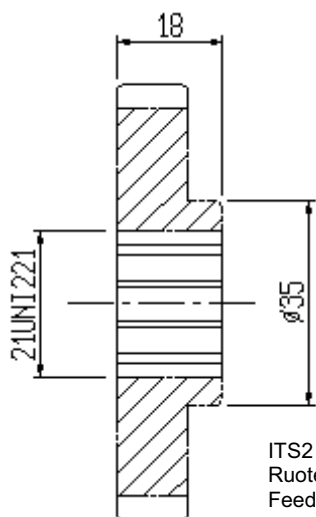
S12/033P
perno / pin
SE16d186



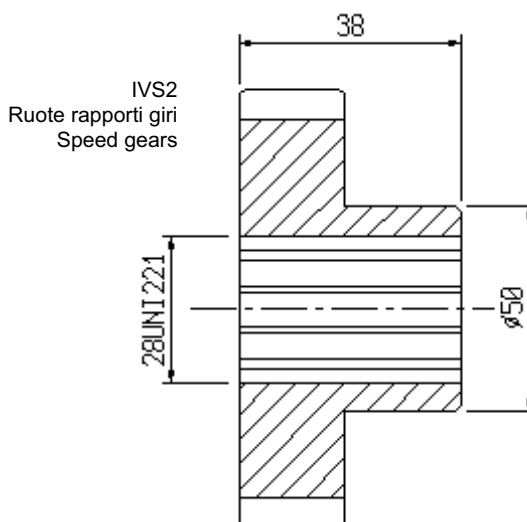
S2/040R
rullo / roller



S2/040P
perno / pin



ITS2
Ruote rapporti tempi
Feed gears



IVS2
Ruote rapporti giri
Speed gears