



DAL LAGO TTC S.R.L. - Via Piave, 16 - 36077 Altavilla Vic.na (VI) - Italy  
Tel +39 0444 349030 - Fax +39 0444 348964 - [www.dallago.it](http://www.dallago.it) - [info@dallago.it](mailto:info@dallago.it)

# **GILDEMEISTER GM16**

**PARTI DI RICAMBIO**

**SPARE PARTS**

**ERSATZTEILE**



53.01.387



53.01.163



53.01.386



53.01.382



53.01.384



53.01.346



53.01.388

01.01.405



01.33.553



53.01.389

## SERRAGGIO BARRA - TIPO NUOVO NEW BAR CLAMPING MECHANISM



53.01.336



53.01.332

## SERRAGGIO BARRA - TIPO VECCHIO OLD BAR CLAMPING MECHANISM



53.01.335



53.01.334



53.01.333





53.01.350



53.01.177



53.01.178



53.01.106



53.01.207



53.01.353



53.01.361



53.09.138



53.02.126



53.05.124



53.02.167



5305113



53.12.121



53.02.131



5305156

01.27.025



53.26.126 L=38.5mm



53.26.108



05.03.010



01.06.606



53.03.130



53.26.172 L=51.5mm



01.06.615



53.03.120



5303129

TIPO NUOVO  
NEW TYPE

TIPO PRECEDENTE  
OLD TYPE



53.22.005



53.22.108



53.26.156  
53.26.157



53.08.307



531018..

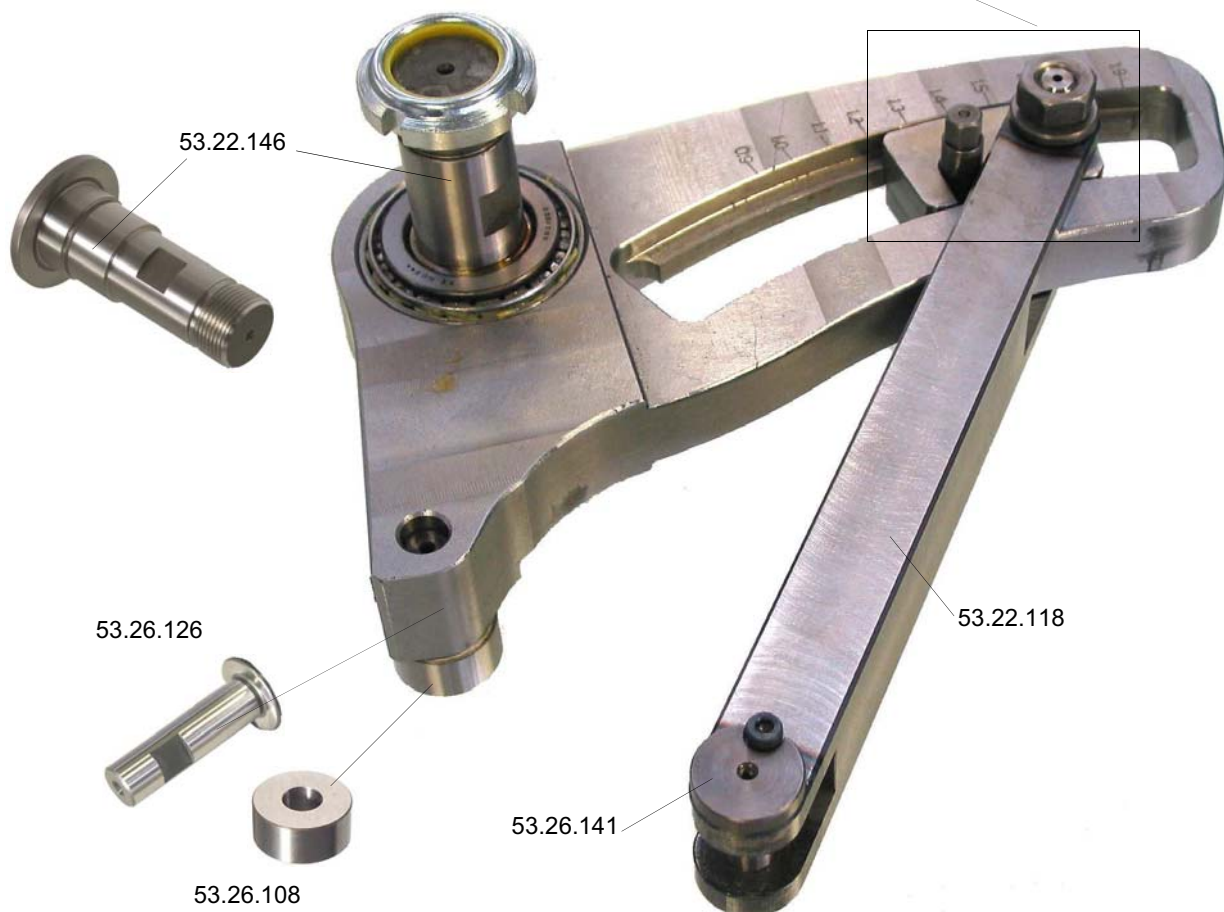
531018..

OPTIONAL  
RUOTE PER FORATURA E ALESATURA VELOCE VARIABILE  
RATIO GEARS FOR HIGH SPEED DRILLING AND BORING

53.23.012



- |           |           |  |
|-----------|-----------|--|
| 53.26.174 | pos.2-3-4 | cross chariot / carri radiali                        |
| 53.26.173 | pos.1-5-6 | cross chariot / carri radiali                        |
| 53.22.138 | pos.2-3-4 | axial spindle and chariot / mandrini e carri assiali |
| 53.22.137 | pos.1-5-6 | axial spindle and chariot / mandrini e carri assiali |



OPTIONAL: 5321009 - 5321010 - 5321011  
COMANDO SLITTE ASSIALI POS. 1-2-4-5  
PUSHING SET FOR AXIAL SLIDE POS.1-2-4-5

