

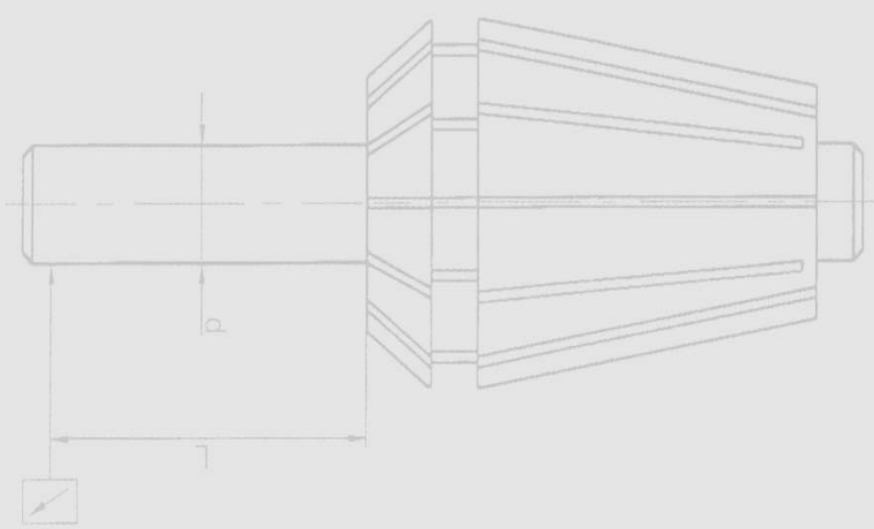
---

CATALOGO GENERALE  
FANTINA MOBILE

---

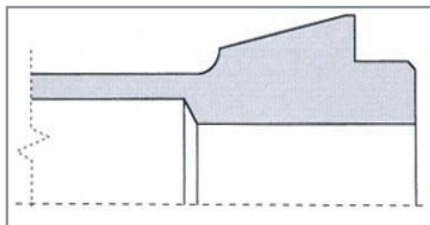
GENERAL CATALOGUE  
SLIDE HEAD SWISS TYPE

---



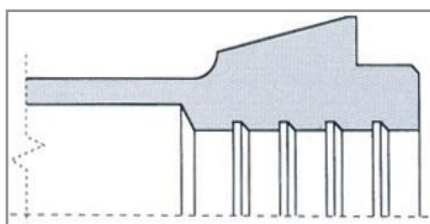
**DOCKING<sup>®</sup>**  
**SWISS MADE**  
**COLLETS**

## FORMA DELL'ALESAGGIO CLAMPING FORM



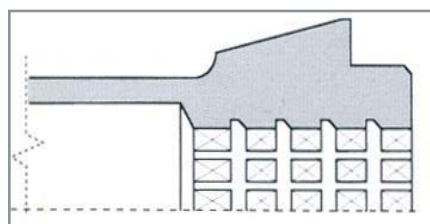
Foro liscio. Forma abituale per fori da  $\varnothing$  1-8 mm

Plain bore. Normally used for bores from 1-8 mm



Foro rigato, con canalini circolari  
 $\varnothing > 8$

Lined bore, with circular relief  
 $\varnothing > 8$

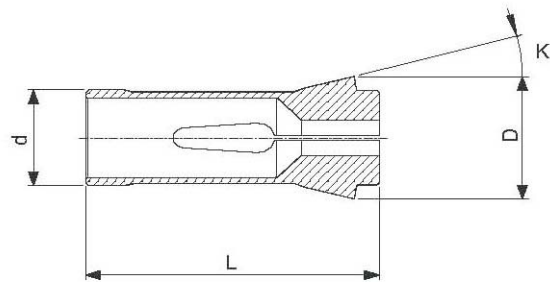


Foro zigrinato, con canalini circolari e verticali (a richiesta)

Shagreened bore, with circular and vertical relief (on request)

## FF SERIES

### Pinze Mandrino / F Type collets

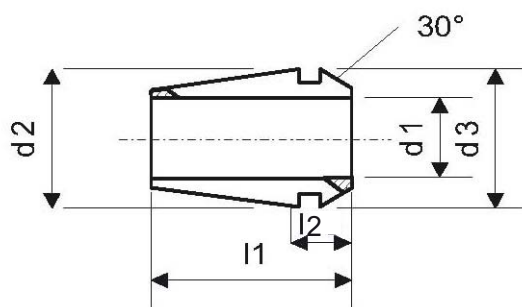


ART	ISO	ALTRI RIFERIMENTI OTHER REFERENCE	d	D	L	K	MISRE SIZE		PASSO STEP
							DA FROM	A TO	
DKFF0100E	100 E	F6/599	6,00	10,0	30,0	15	0,5	4,5	0,1
DKFF0101E	101 E	F8/577	8,00	12,0	42,0	16	0,5	6,0	0,1
DKFF0109E	109 E	F10/86	10,00	15,5	47,5	20	0,5	7,0	0,1
DKFF0110E	110 E	F10/720	10,00	16,0	43,0	15	0,5	7,0	0,1
DKFF0116E	116 E	F13/357	13,00	19,0	64,0	16	1,0	10,0	0,5
DKFF0117E	117 E	F14/98	14,00	18,0	46,0	13	1,0	10,0	0,5
DKFF0120E	120 E	F15/580	15,00	21,0	64,0	16	1,0	13,0	0,5
DKFF0136E	136 E	F20/201	20,00	26,0	54,0	15	1,0	16,0	0,5
DKFF0138E	138 E	F20/87	20,00	28,0	67,0	16	1,0	16,0	0,5
DKFF0140E	140 E	F22/71	22,00	30,0	55,0	15	1,0	16,0	0,5
DKFF0140R	140 E Ris	F22/88	22,00	28,0	67,0	13	1,0	16,0	0,5
DKFF0144E	144 E	F25/91	25,00	34,0	65,0	15	1,0	20,0	0,5
DKFF0145E	145 E	F25/64	25,00	35,0	77,0	16	1,0	20,0	0,5
DKFF0147E	147 E	F27/22	27,00	38,0	72,7	15	1,0	20,0	0,5
DKFF0148E	148 E	F28/93	28,00	38,0	70,0	15	1,0	24,0	0,5
DKFF0157E	157 E	F30/63	30,00	42,0	80,0	16	3,0	24,0	0,5
DKFF0161E	161 E	F32/221	32,00	45,0	75,0	15	2,0	26,0	0,5
DKFF0162E	162 E	F35/67	35,00	43,0	70,0	15	3,0	25,0	0,5
DKFF0163E	163 E	F35/94	35,00	48,0	80,0	15	2,0	32,0	0,5
DKFF0164E	164 E	F38/72	38,08	49,0	107,5	15	3,0	32,0	0,5
DKFF0171E	171 E	F42/99	42,00	55,0	94,0	15	3,0	37,0	0,5
DKFF0173E	173 E	F48/81	48,00	60,0	94,0	15	3,0	42,0	0,5
DKFF0185E	185 E	F66/359	66,00	84,0	110,0	15	3,0	60,0	1,0
DKFF1155E	1155 E	F12/78	12,00	18,1	44,5	15	1,0	10,0	0,1
DKFF1158E	1158 E	F12/578	12,00	18,0	64,0	16	1,0	10,0	0,1
DKFF1212E	1212 E	F16/1076	16,00	21,0	64,0	16	1,0	13,0	0,5
DKFF1446E	1446 E	F30/101	30,00	38,0	65,0	15	3,0	26,0	0,5
DKFF1497E	1497 E	F34/1077	34,00	44,0	80,0	16	3,0	28,0	0,5
DKFF1536E	1536 E	F37/740	37,00	47,0	92,0	16	3,0	32,0	1,0
DKFF1653		P1653C	20,00	26,0	68,0	13	2,0	15,0	0,5
DKFF0020		NN20KFC	26,00	36,0	72,0	15	2,0	20,0	0,5
DKFF2553		P2553C	32,00	42,0	85,0	13	2,0	26,0	0,5

su richiesta sono disponibili anche misure speciali / Inch measures are available on request

## ER SERIES

### Pinze ER / ER collets

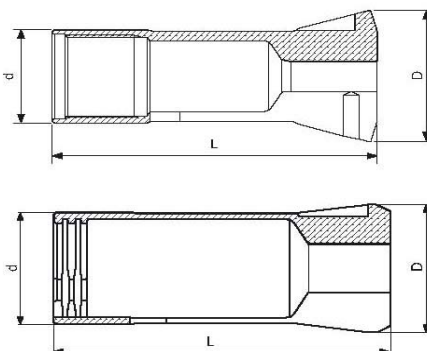


ART	d1 mm min - max	CAPACITÀ DI SERRAGGIO GRIPPING RANGE	d2	d3	a	l1	l2 max
DKER08	1÷5	0,5 mm	8	8,5	8°	13,5	4,5
DKER11	1÷7	0,5 mm	11	11,5	8°	18,0	6,6
DKER16	1÷10	0,5 - 1mm	16	17,0	8°	27,5	10,5
DKER20	1÷13	0,5 - 1mm	20	21,0	8°	31,5	11,5
DKER25	1÷16	0,5 - 1mm	25	26,0	8°	34,5	12,0
DKER32	2÷20	0,5 - 1mm	32	33,0	8°	40,0	13,0
DKER40	3÷30	1mm	40	41,0	8°	46,0	15,0

su richiesta sono disponibili anche U.P. (Ultra Preciso) & misure speciali /  
U.P. (Ultra Precised) & Inch measures are available on request

## MR SERIES

### Pinze per mandrino da ripresa / Pick up collets

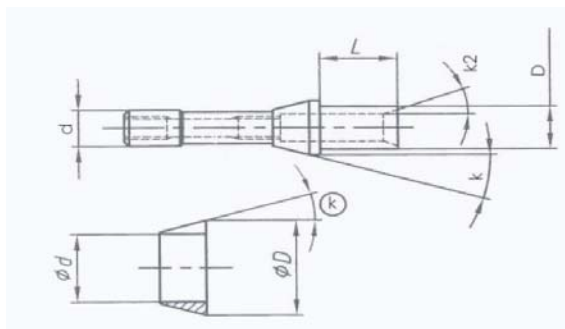


ART	ALTRI RIFERIMENTI OTHER REFERENCE	d	D	L	MISRE SIZE		PASSO STEP
					DA FROM	A TO	
DKMR0814	STROHM M105, M125, GZS12 (F12)	12,0	14,5	21,0	1	8,0	0,1
DKMR1117	STROHM M125, GZS15 (F15)	15,0	17,0	17,0	1	11,0	0,1
DKMR1621	TORNOS SYF 16, AS14/SAS16	16,0	21,0	66,0	3	16,0	0,5
DKMR1928	STROHM M205, M255, GZS24 (F24)	24,0	28,0	36,0	1	19,0	0,1
DKMR2028	TORNOS GL 20, 3560 E GILDEMEISTER	28,0	32,0	73,0	2	24,5	0,5
DKMR2035	GILDEMEISTER GLD20	28,5	32,5	66,8	3	23,5	0,5
DKMR2230	TORNOS MULTIDECO 26/6 32/6	35,5	40,0	80,0	3	32,0	0,5
DKMR3040	TRAUB GZT35	46,0	40,0	35,0	3	30,0	0,5
DKMR4254	TRAUB GZT46	65,0	54,7	46,0	3	42,0	0,5

su richiesta sono disponibili anche misure speciali / Inch measures are available on request

## FE SERIES

### Pinze speciali / Special collets

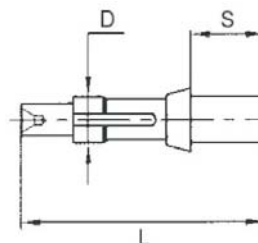


ART	ALTRI RIFERIMENTI OTHER REFERENCE	d	D	L	k2	K	MISRE SIZE		PASSO STEP
							DA FROM	A TO	
DKFE08100	1000	8	9,5	10,0	16	20	0,5	6	0,1
DKFE08125	1250	8	9,5	12,5	16	20	0,5	6	0,1
DKFE08150	1500	8	9,5	15,0	16	20	0,5	6	0,1
DKFE08175	1750	8	9,5	17,5	16	20	0,5	6	0,1
DKFE08200	2000	8	9,5	20,0	16	20	0,5	6	0,1
DKFE08225	2250	8	9,5	22,5	16	20	0,5	6	0,1
DKFE08250	2500	8	9,5	25,0	16	20	0,5	6	0,1
DKFE08275	2750	8	9,5	27,5	16	20	0,5	6	0,1
DKFE08300	3000	8	9,5	30,0	16	20	0,5	6	0,1
DKFE08325	3250	8	9,5	32,5	16	20	0,5	6	0,1
DKFE08350	3500	8	9,5	35,0	16	20	0,5	6	0,1
DKFE08400	4000	8	9,5	40,0	16	20	0,5	6	0,1
DKFE08420	4200	8	9,5	42,0	16	20	0,5	6	0,1
DKFEC8420	812	8	12		16		0,5	6	0,1

su richiesta sono disponibili anche misure speciali / Inch measures are available on request

## S1 SERIES

### Pinze per trasportatore / Special collets

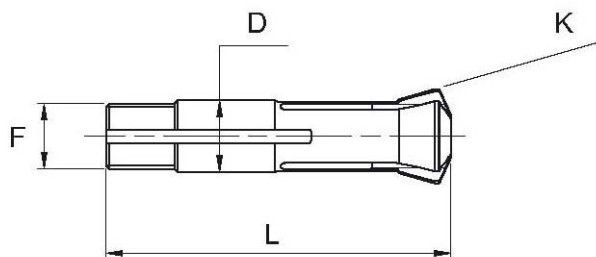


ART	ALTRI RIFERIMENTI OTHER REFERENCE	D	L	S
DKS105260	2193	5	20,5- 26	4,5 - 10
DKS108445	2199	8	44,5	13,5

su richiesta sono disponibili anche misure speciali / Inch measures are available on request

## BB SERIES

### Bussole metallo duro / Guide bushing

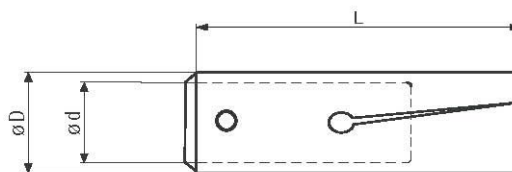


ART	ALTRI RIFERIMENTI OTHER REFERENCE			D	L	K	F	MISRE SIZE		PASSO STEP
								DA FROM	A TO	
DKBB0409	J3	1.001	1351	9	44,0	16,0	M8x0,775	1	4,5	0,1
DKBB0410M	MAGIC 1302	38.001	CMF201	10	57,0	36,0	M10x1	1	4,0	0,1
DKBB0611	J4	3.001	1352	11	53,0	16,0	M10x0,75	1	8,0	0,1
DKBB0713M	MAGIC 1300	45.001	CRD143	13	68,0	36,0	M13x1	7	7,0	0,1
DKBB1016	J6R	8.001	1353	16	59,0	16,0	M14x1	1	11,0	0,1
DKBB1318	B212A	166.001	853	18	60,0	30,0	M16x1	1	13,0	0,1
DKBB1421	B301	450.001	221T	21	57,4	12,5	M18x1	1	14,0	0,1
DKBB1622	J7A	13.001	1354	22	68,0	16,0	M19x1	2	16,0	0,5
DKBB1822	J7AR	39.001	39001T	22	68,0	16,0	M22x1	2	18,0	0,5
DKBB1824	B238	61.002	605	24	61,0	30,0	M24x1	2	18,0	0,5
DKBB2128	B261	22.001	223T	28	82,0	16,0	M25x1	3	22,0	0,5
DKBB2132	B214	282.001	355	32	71,0	30,0	M32x1	3	22,0	0,5
DKBB2183	B260	18.001	1357	28	81,0	30,0	M25x1	3	21,0	0,5
DKBB2634	B227	451.001	227T	34	87,5	10,0	M34x1	3	26,0	1,0
DKBB2740	B207	172.001	854	40	72,0	30,0	M36x1/M40x1	3	27,0	1,0
DKBB3442	J9	28.001	229T	42	82,0	16,0	M40x1	3	34,0	1,0
DKBB3648	B236			48	81,0	30,0	M48x1,25	3	36,0	1,0
DKBB1653	P1653D			22	70,0	15,0	M20x1	2	15,0	0,5
DKBB0020	NN20KD			30	68,0	15,5	M30x1	2	20,0	0,5
DKBB2553	P2553D			36	90,0	13,0	M36x1	2	26,0	0,5

su richiesta sono disponibili anche misure speciali / Inch measures are available on request

## CC SERIES

### Pinze per caricatore / Barloader collets

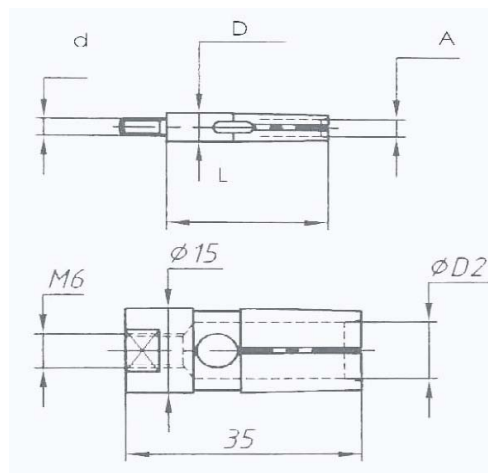


ART	ALTRI RIFERIMENTI OTHER REFERENCE		d	D	L	MISRE SIZE		PASSO STEP
						DA FROM	A TO	
DKCC10026	SPH	Becheler B10	M5	10	26	2,0	8	0,5
DKCC10040	210 E	D10/210E	7	10	40	2,0	8	0,5
DKCC12040	212 E	D12/212E	8	12	40	2,0	10	0,5
DKCC15040	203 E	D15/203E	11	15	40	2,0	13	0,5
DKCC18040	D18/HAG	D18/HAG	11	18	40	2,5	16	0,5
DKCC20065	225 E	D20/225E	14	20	65	2,5	18	0,5
DKCC25065	222 E	D25/222E	20	25	65	4,0	23	0,5
DKCC28065	227 E	D28/227E	20	28	65	6,0	26	0,5
DKCC30065	D30/HAG	D30/HAG	20	30	65	8,0	28	0,5
DKCC32065	D32/HAG	D32/HAG	20	32	65	8,0	30	0,5

su richiesta sono disponibili anche misure speciali / Inch measures are available on request

## TT SERIES

### Pinze per caricatore / Barloader collets



ART	ALTRI RIFERIMENTI OTHER REFERENCE	d	D	L	MISURE SIZE		PASSO STEP
					DA FROM	A TO	
DKTT04524	2100	M3	4,5	24	0,8	3,5	0,1
DKTT05524	2101	M3	5,5	24	0,8	4,5	0,1
DKTT07530	2102	M4	7,5	30	1,0	6,0	0,1
DKTT07530S	2103	M4	7,5	30	6,0	6,5	0,1
DKTT08530	2104	M5	8,5	30	2,0	7,0	0,5
DKTT08530S	2105	M5	8,5	30	6,5	7,5	0,5
DKTT10535	2106	M6	10,5	35	2,0	9,0	0,5
DKTT10535S	2107	M6	10,5	35	8,5	9,5	0,5
DKTT12035	2108	M6	12,0	35	3,0	11,0	0,5
DKTT12035S	2109	M6	12,0	35	10,0	11,0	0,5
DKTT13535	2110	M6	13,5	35	3,0	12,0	0,5
DKTT13535S	2111	M6	13,5	35	10,0	12,5	0,5
DKTT15035	2112	M6	15,0	35	5,0	13,0	0,5
DKTT16535	2113	M8	16,5	35	8,0	15,0	0,5
DKTT20535	2114	M8	20,5	35	8,0	18,0	0,5

su richiesta sono disponibili anche misure speciali / Inch measures are available on request

**APPUNTI**

**NOTES**







DAL LAGO TTC S.R.L. - Via Piave, 16 - 36077 Altavilla Vic.na (VI) - Italy  
Tel +39 0444 349030 - Fax +39 0444 348964 - [www.dallago.it](http://www.dallago.it) - [info@dallago.it](mailto:info@dallago.it)