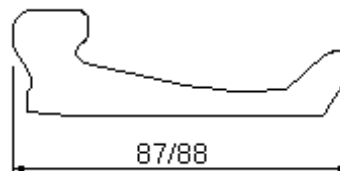
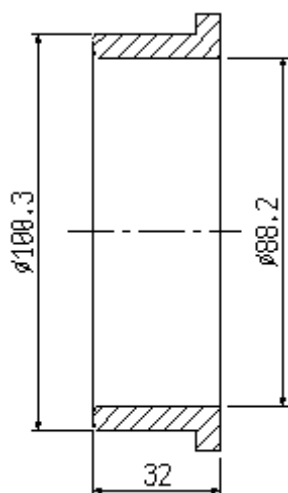


G5/003
campana / sleeve

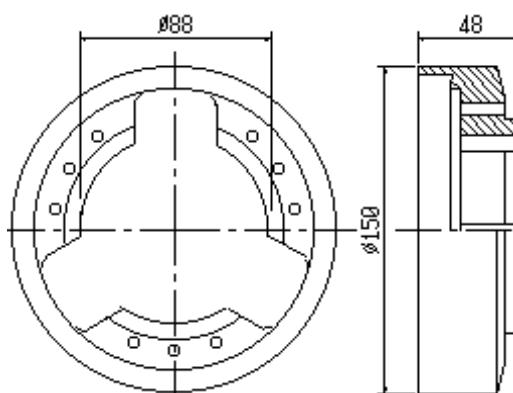


G5/005
martelletto / toggle
355-10-213/001

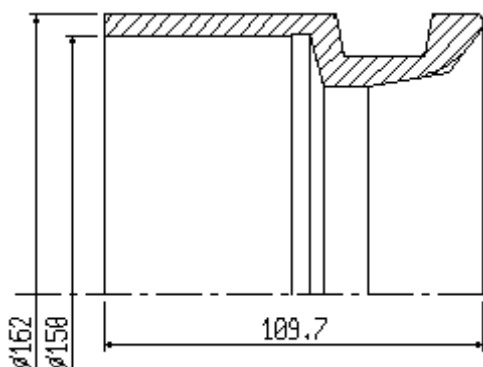
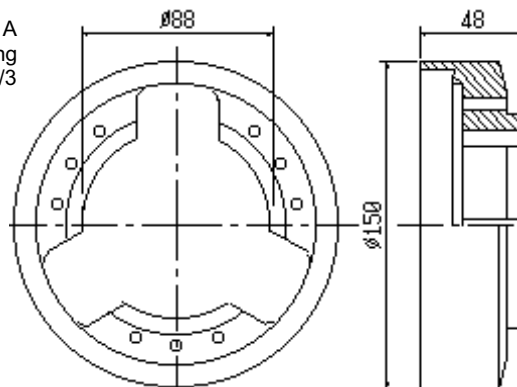
G5/007
boccola / ring



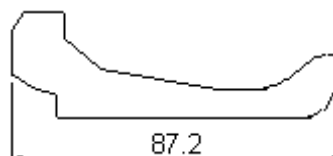
G5/011B
mozzo / ring
355-10-214-1



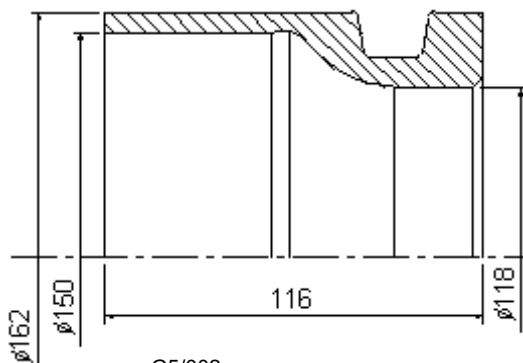
G5/011A
mozzo / ring
355-10-214/3



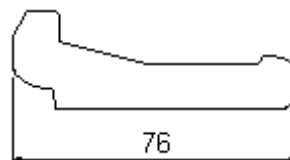
G5/001
campana / sleeve
355-10-211



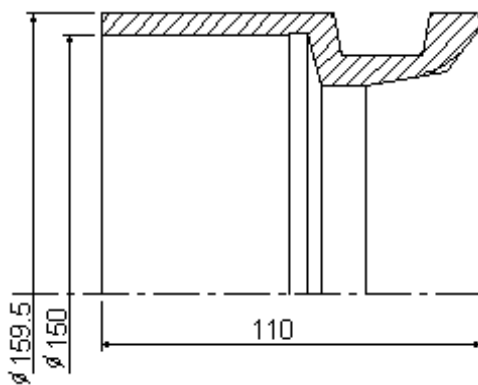
G5/003
martelletto / toggle
355-10-213/2



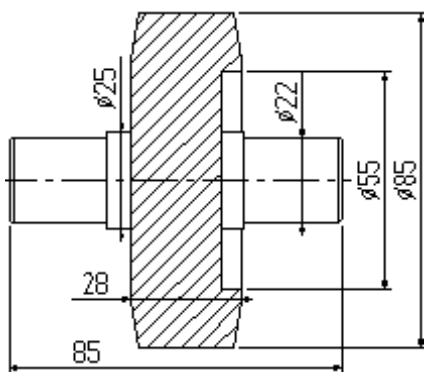
G5/002
campana / sleeve
355-10-2110/051



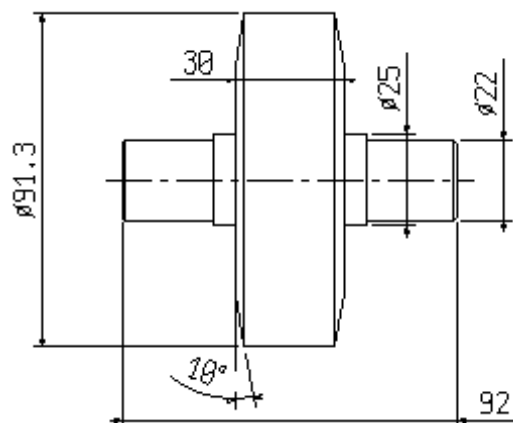
G5/004
martelletto / toggle
355-10-2130/051



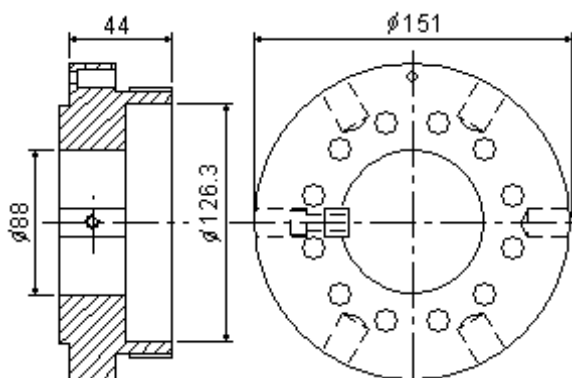
G5/001B
campana / sleeve



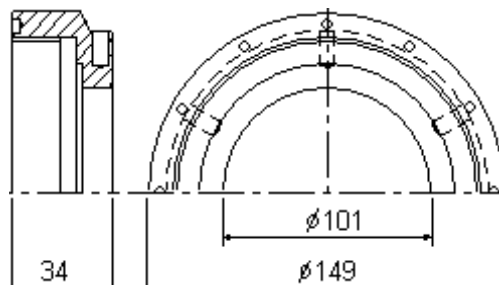
G5/040
rullo / roller



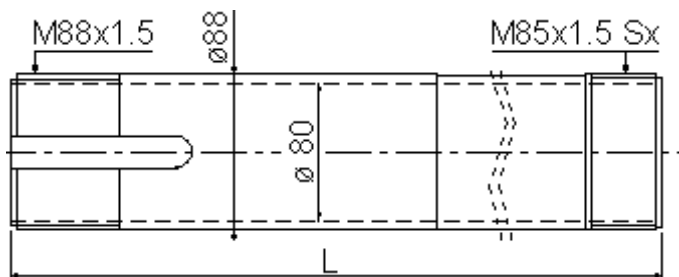
G5/040B
rullo / roller



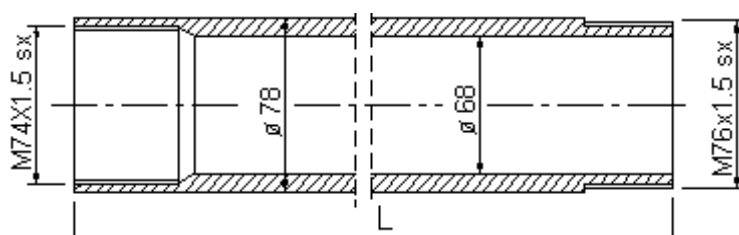
G5/013
ghiera / nut
355-10-220/2



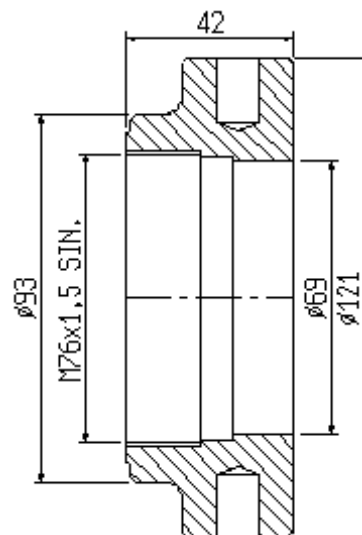
G5/014
ghiera / nut
344-10-224/2



G5/010
tubo stringibarra / collet tube



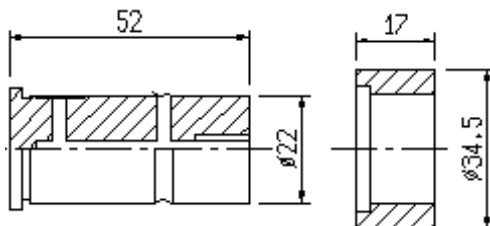
G5/012
tubo spingibarra / feed tube



G5/015
ghiera / nut

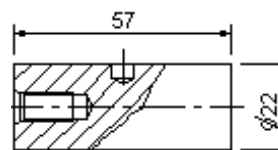


Coppie ruote rapporti velocità/tempi
Pairs of feed and speed gears

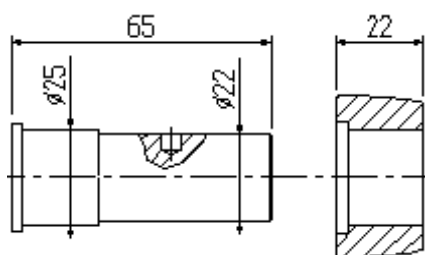


G5/031P
perno / pin
304-08-141/1

G5/031R
rullo / roller
304-08-142/1

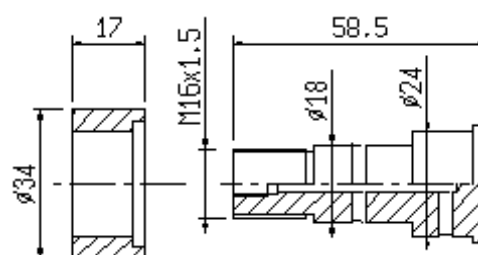


G5/034
perno / pin



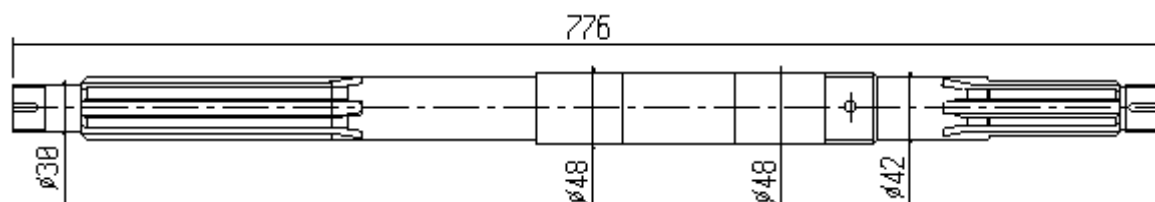
G5/033P
perno / pin
304-09-140

G5/033R
rullo / roller
304-09-141

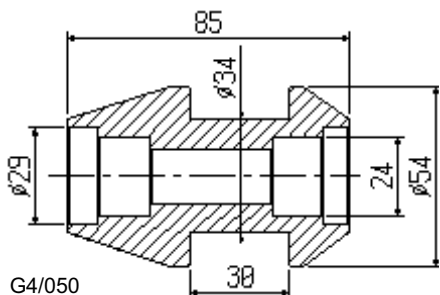


G5/030R
rullo / roller

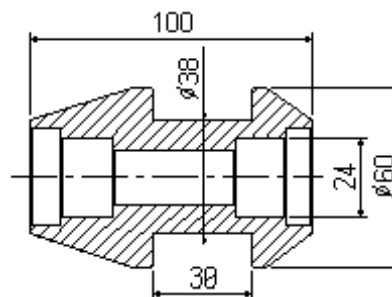
G5/030P
perno / pin



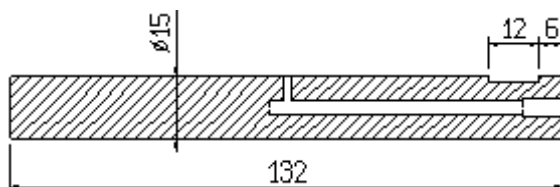
G5/050
albero / shaft
344-08-206-1



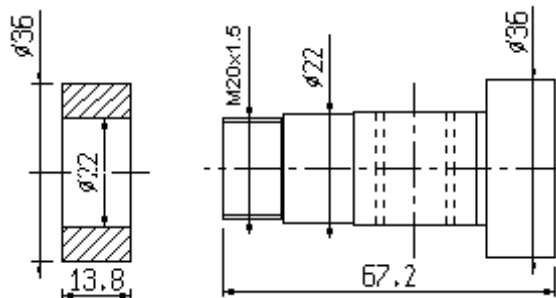
G4/050
rullo / roller



G5/051
rullo / roller



G3/052
perno / pin

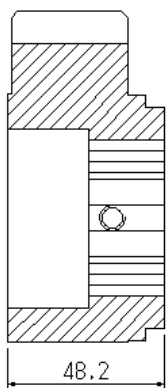


G5/039R
rullo / roller

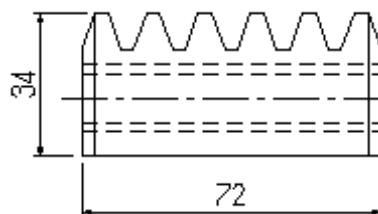
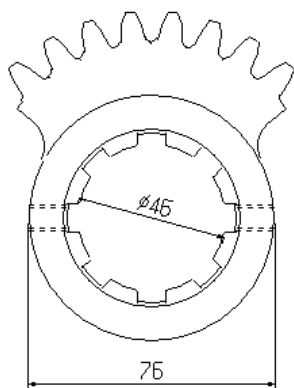
G5/039P
perno / pin



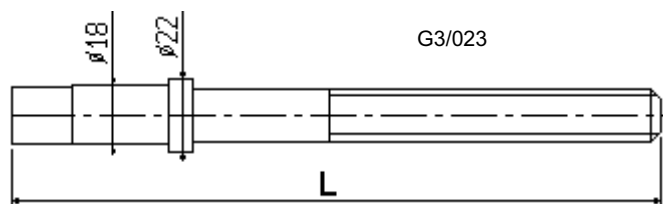
G5/039
303-08-1380/001



G5/020
settole dentato / sector gear

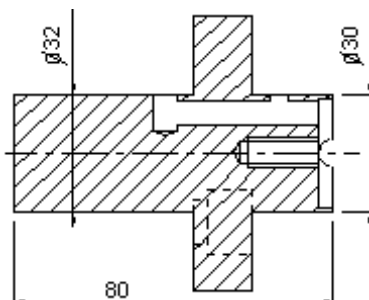


G3/022
Cremagliera
linear gear
303-25-129

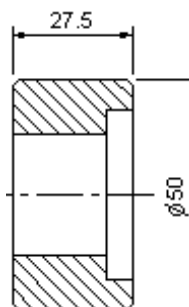


G3/023

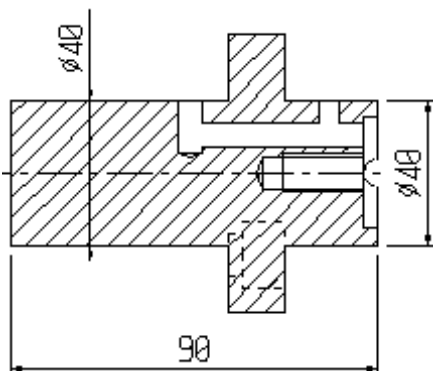
G5/035P
perno blocco centrale /
centre block pivot
AS67



G5/035R
rullo / roller
AS67



G9/035P
perno blocco centrale /
centre block pivot
AA67



G9/035R
rullo / roller
AA67

