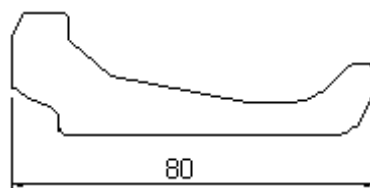
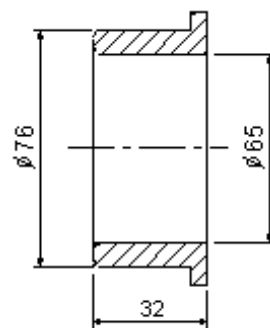


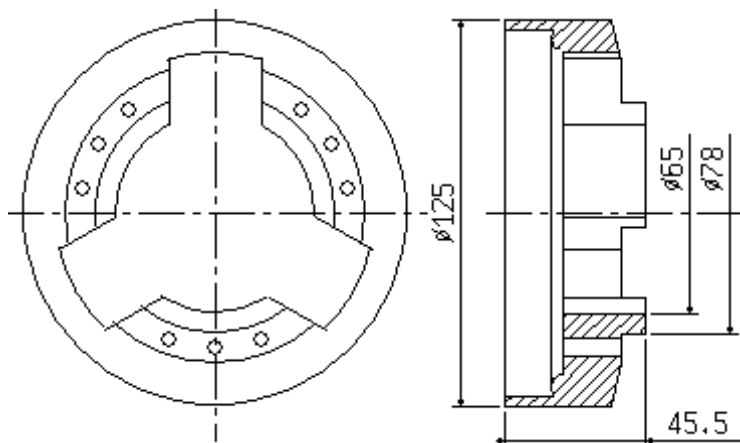
G4/001
campana / sleeve
343-10-211/2



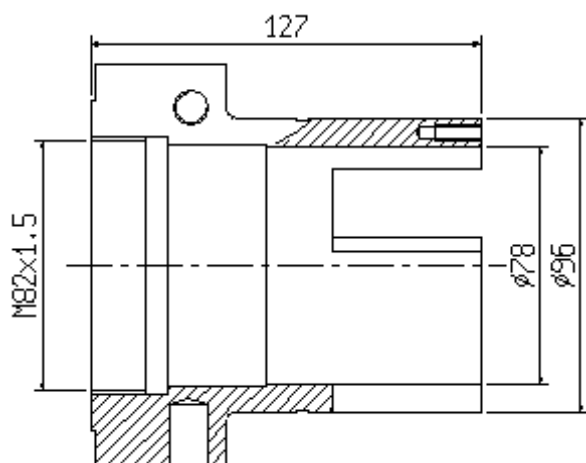
G4/003
martelletto / toggle
343-10-213/002



G4/007
boccola / ring
343-10-212/2

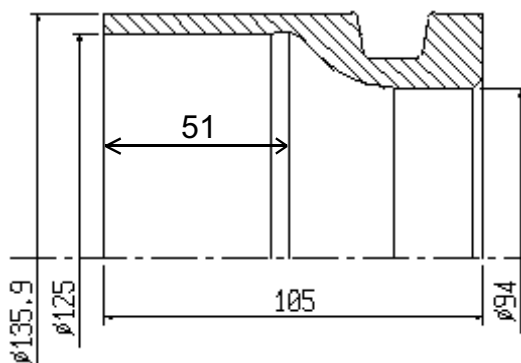


G4/011A
mozzo / ring
343-10-2140

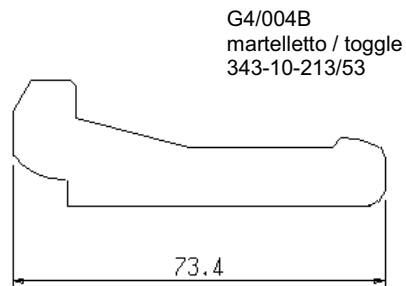


G4/019A
manicotto / sleeve

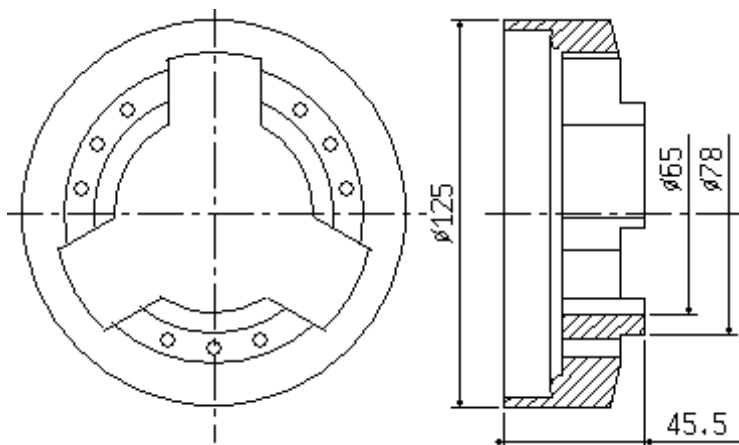




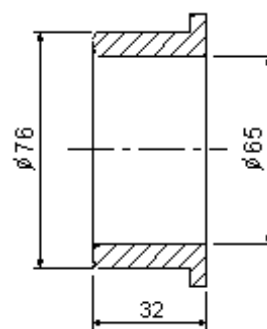
G4/002
campana / sleeve
343-10-211/53



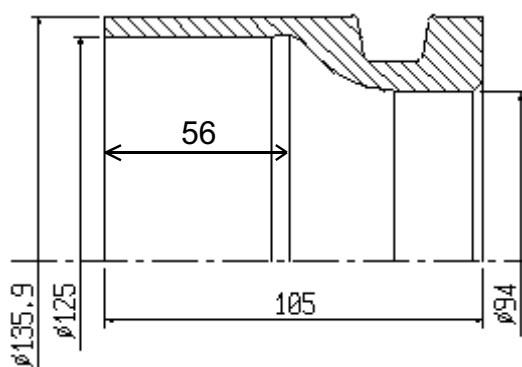
G4/004B
martelletto / toggle
343-10-213/53



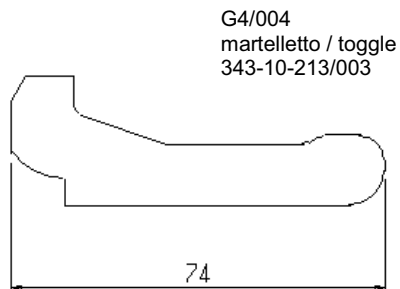
G4/011A
mozzo / ring
343-10-2140



G4/007
boccola / ring
343-10-212/2



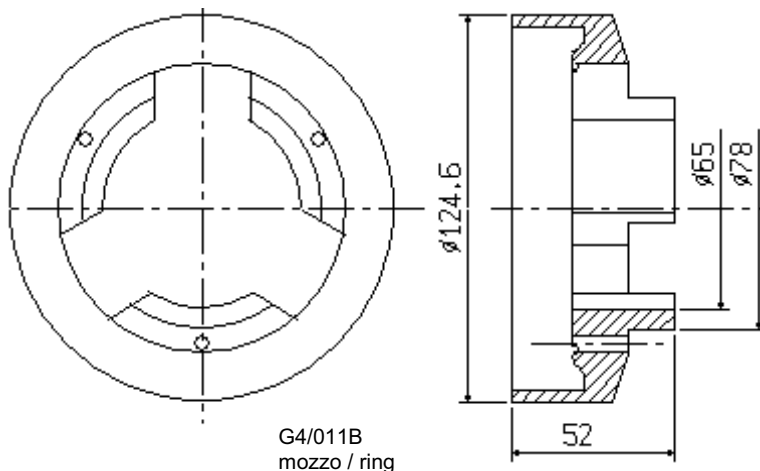
G4/002B
campana / sleeve
343-10-211/003



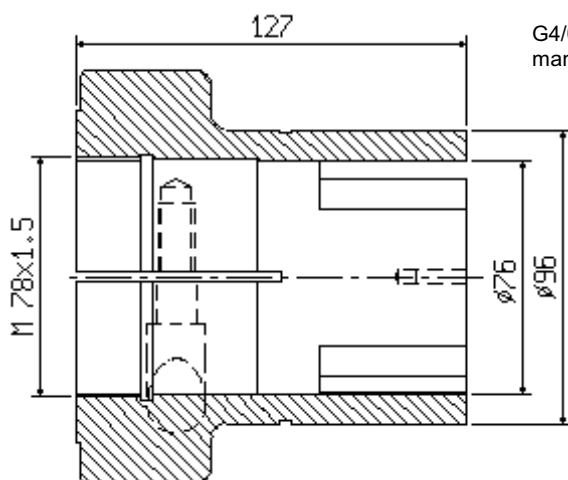
G4/004
martelletto / toggle
343-10-213/003



G4/005
martelletto / toggle
343-10-213/001

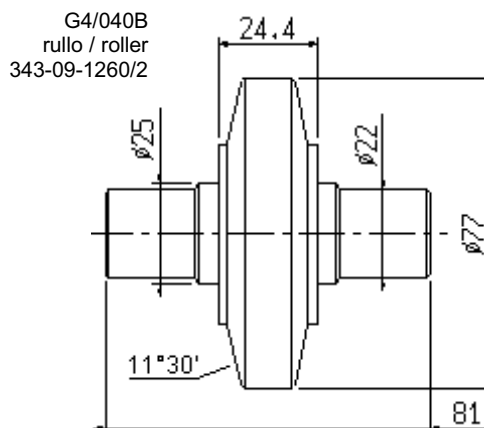
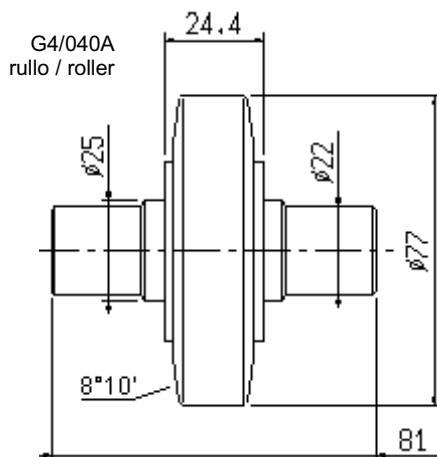


G4/011B
mozzo / ring



G4/019B
manicotto / sleeve





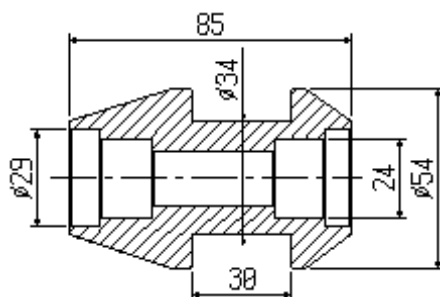
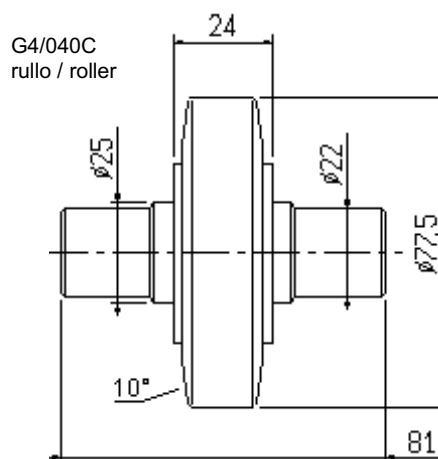
G4/013
ghiera / nut
343-10-220/2



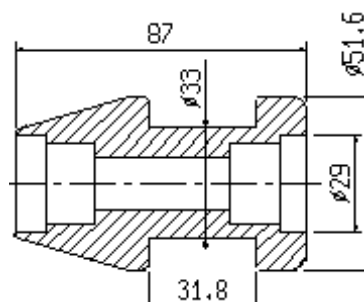
G3/014
ghiera / nut
343-10-222/2



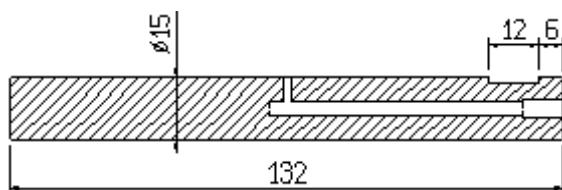
G4/090
Molla a tazza / spring
343-10-216



G4/050
rullo / roller



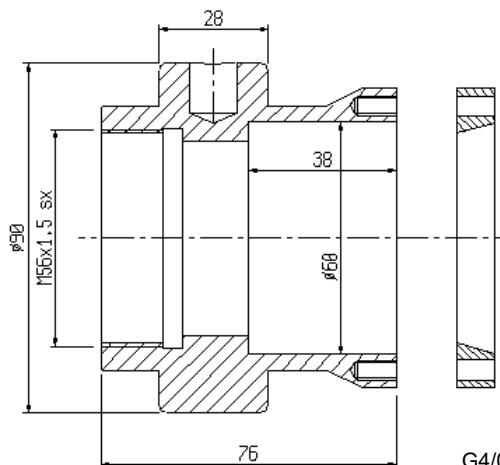
G3/050
rRullo / roller
343-09-1370



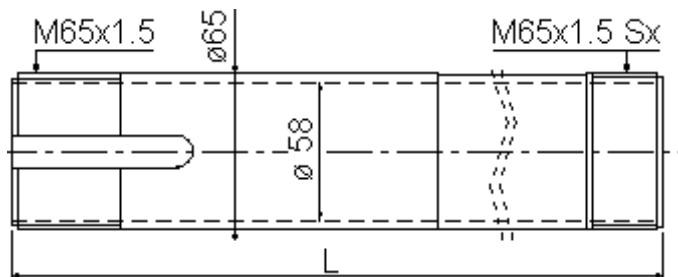
G3/052
perno / pin



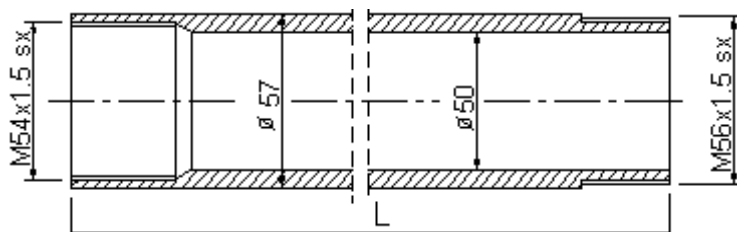
G4/009
ghiera / nut



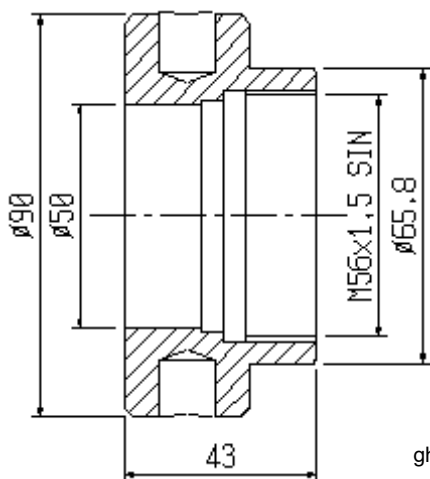
G4/016B
ghiera / nut



G4/010
tubo stringibarra/collet tube



G4/012
tubo spingibarra / feed tube



G4/016
ghiera / nut



G4/008
boccola / bush

PER LAVORAZIONE BARRE ESAGONALI
TO MACHINE EXAGONAL BARS

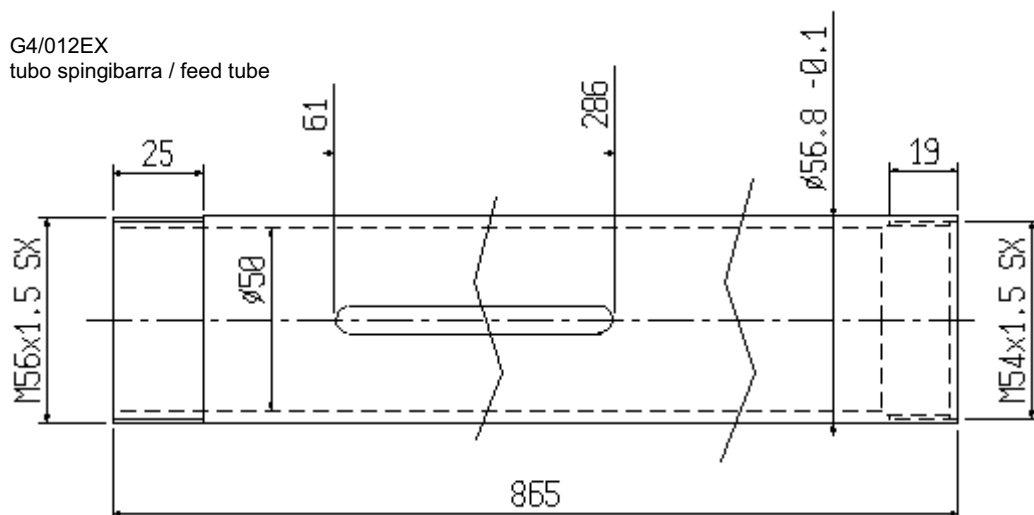
G4/009EX
Ghiera portachiavette
Key nut



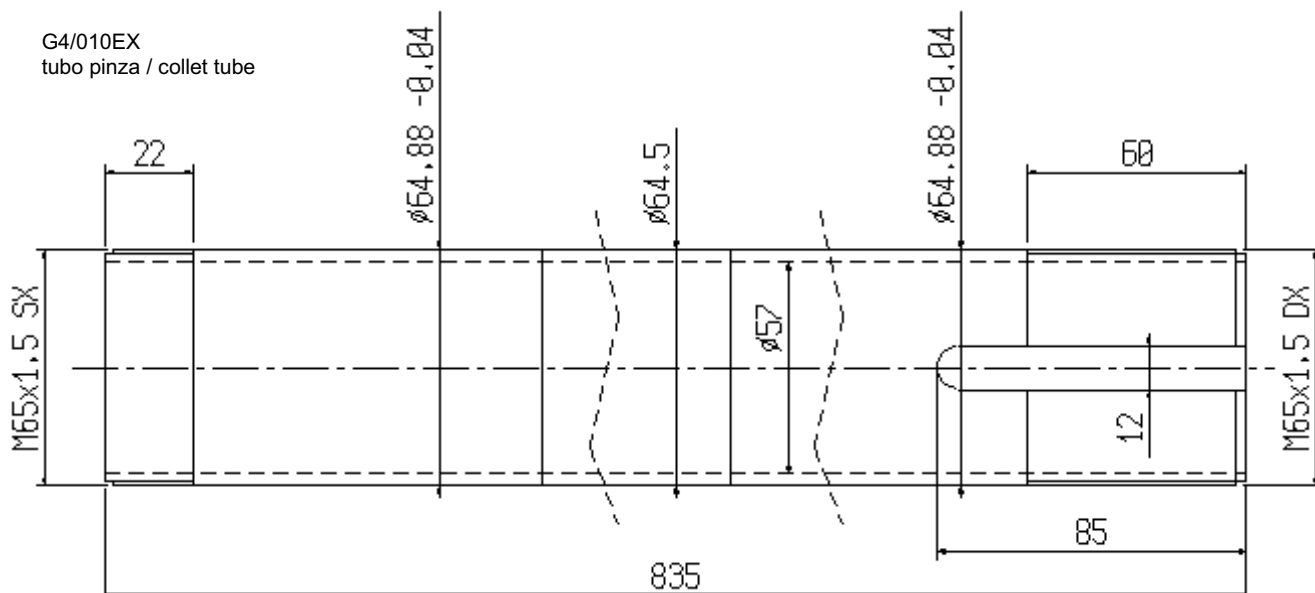
G4/014
Chiavetta / Key

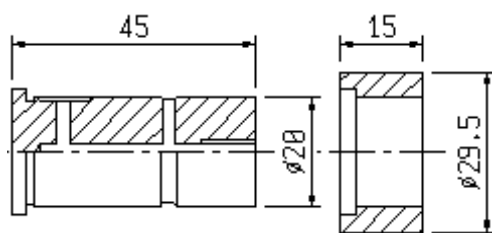


G4/012EX
tubo spingibarra / feed tube



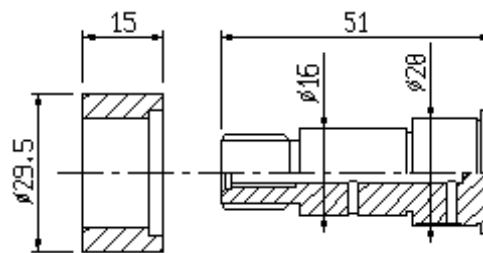
G4/010EX
tubo pinza / collet tube





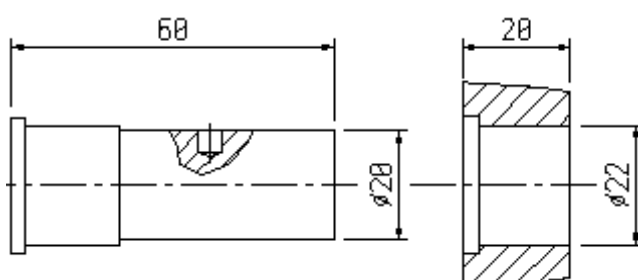
G4/031P
perno / pin

G4/031R
rullo / roller



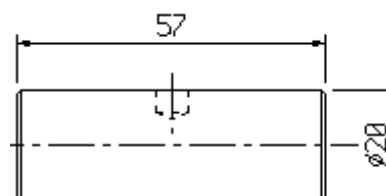
G3/032R
rullo / roller

G3/032P
perno / pin

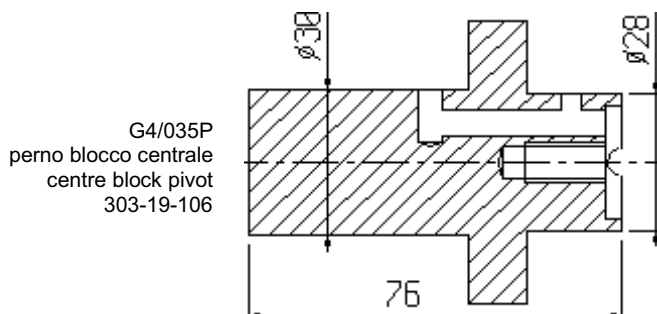


G4/033P
perno / pin

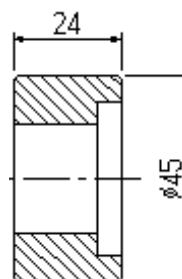
G4/033R
rullo / roller



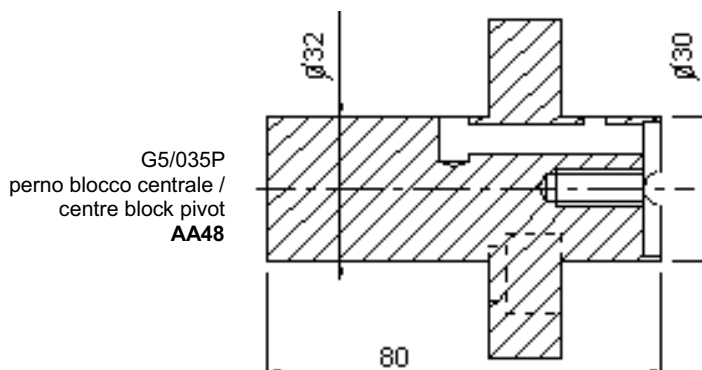
G4/032
perno / pin



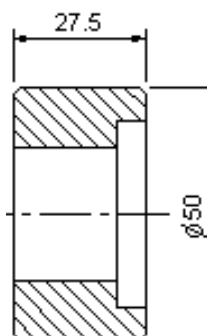
G4/035P
perno blocco centrale
centre block pivot
303-19-106



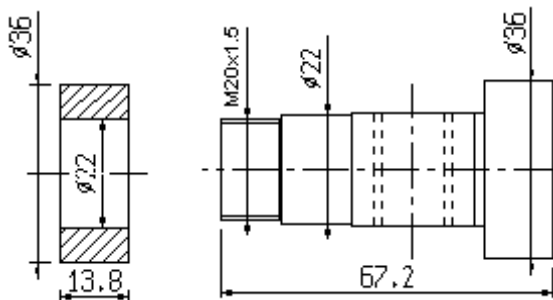
G4/035R
rullo / roller
303-19-107



G5/035P
perno blocco centrale /
centre block pivot
AA48



G5/035R
rullo / roller
AA48

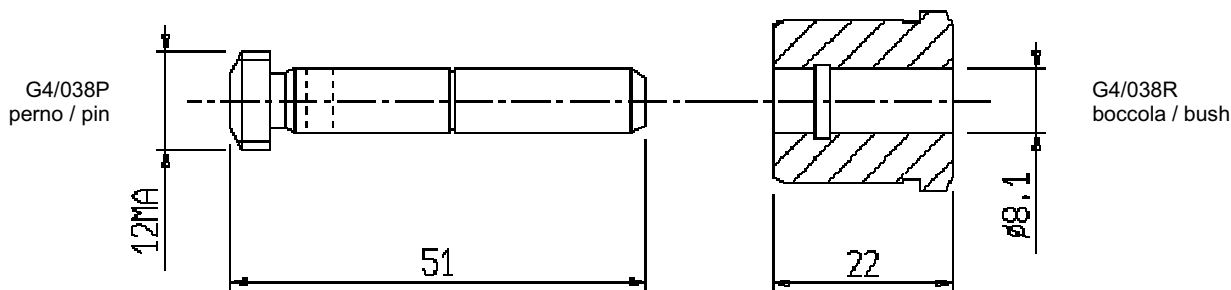


G5/039R
rullo / roller

G5/039P
perno / pin

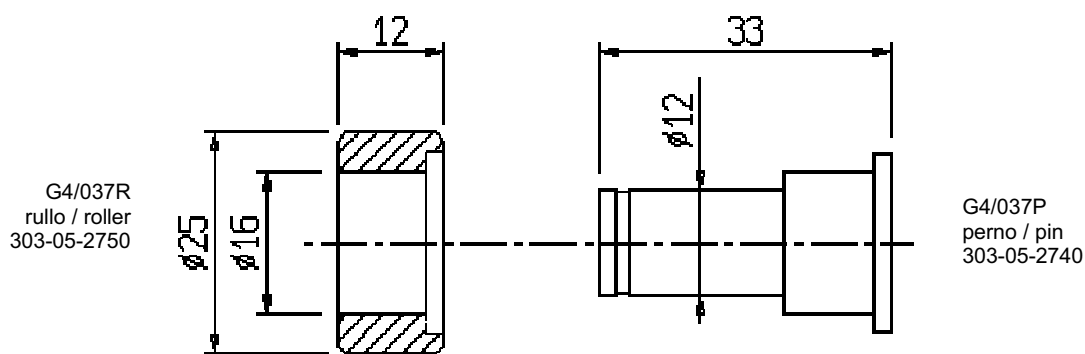


G5/039
303-08-1380/001



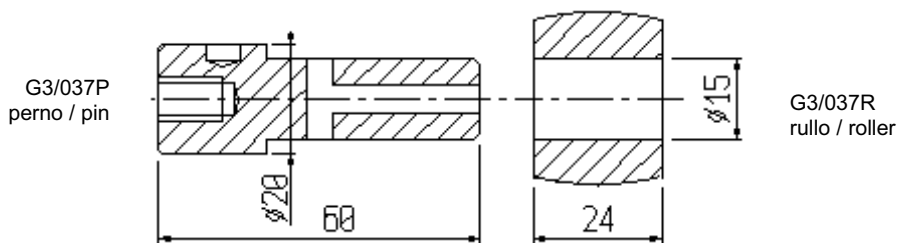
G4/038P
perno / pin

G4/038R
boccola / bush



G4/037R
rullo / roller
303-05-2750

G4/037P
perno / pin
303-05-2740

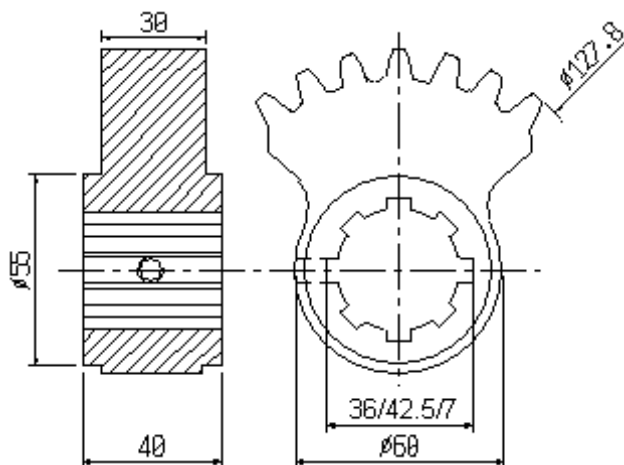


G3/037P
perno / pin

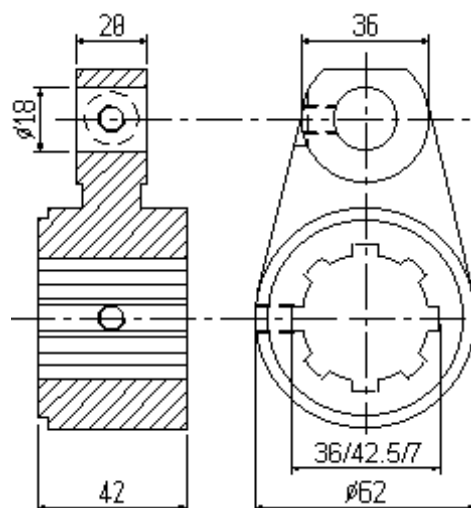
G3/037R
rullo / roller



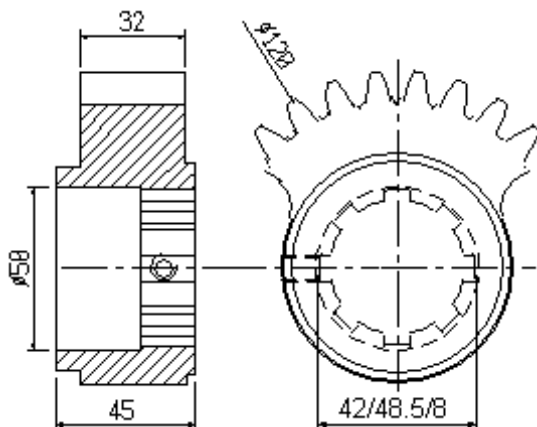
Coppie ruote rapporti velocità/tempi
Pairs of feed and speed gears



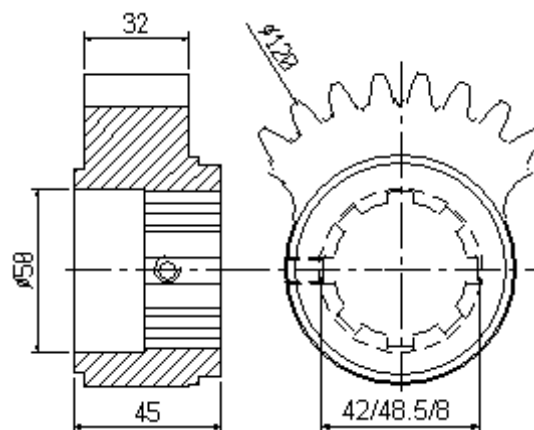
G4/020
settole dentato / sector gear
303-08-601



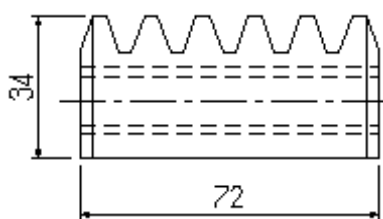
G4/025



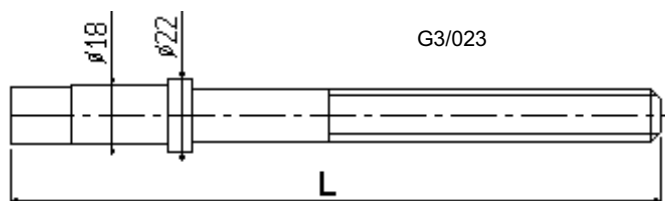
G3/024 pos. 2
settole dentato / sector gear
302-08-6040



G3/021 pos. 1
settole dentato / sector gear
303-08-601



G3/022
Cremagliera / gear
303-25-129



G3/023